

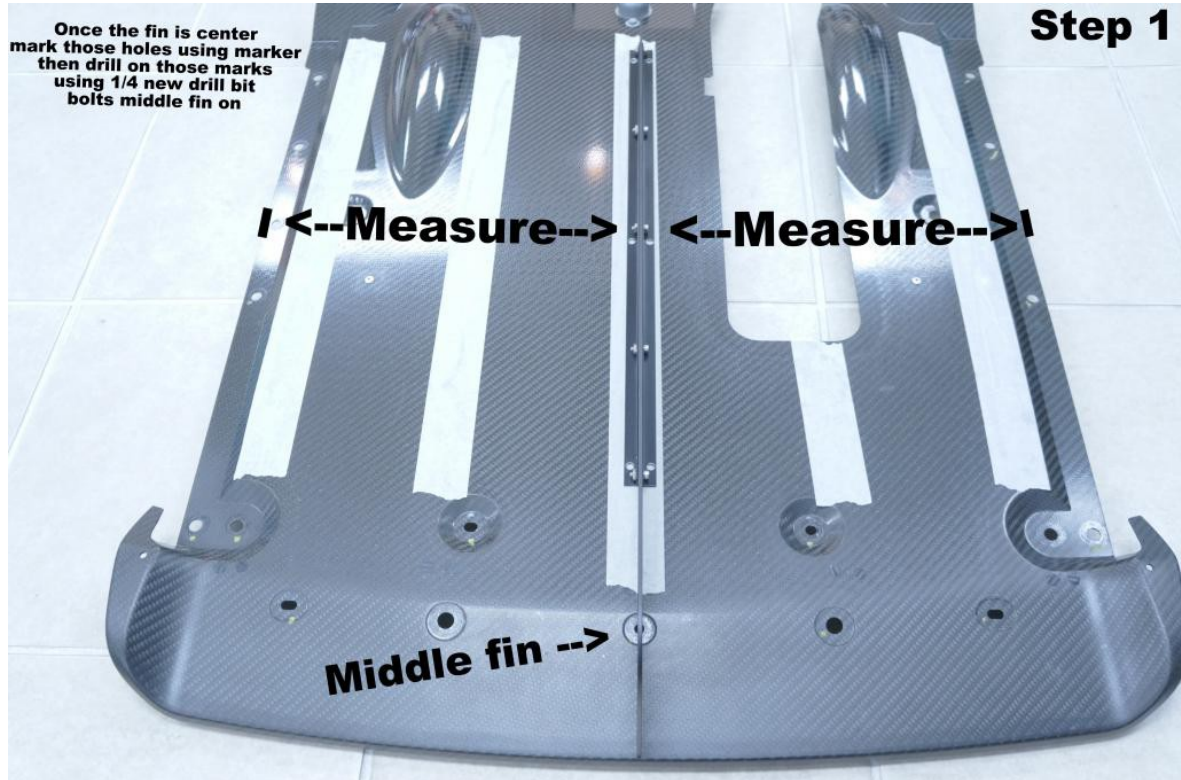


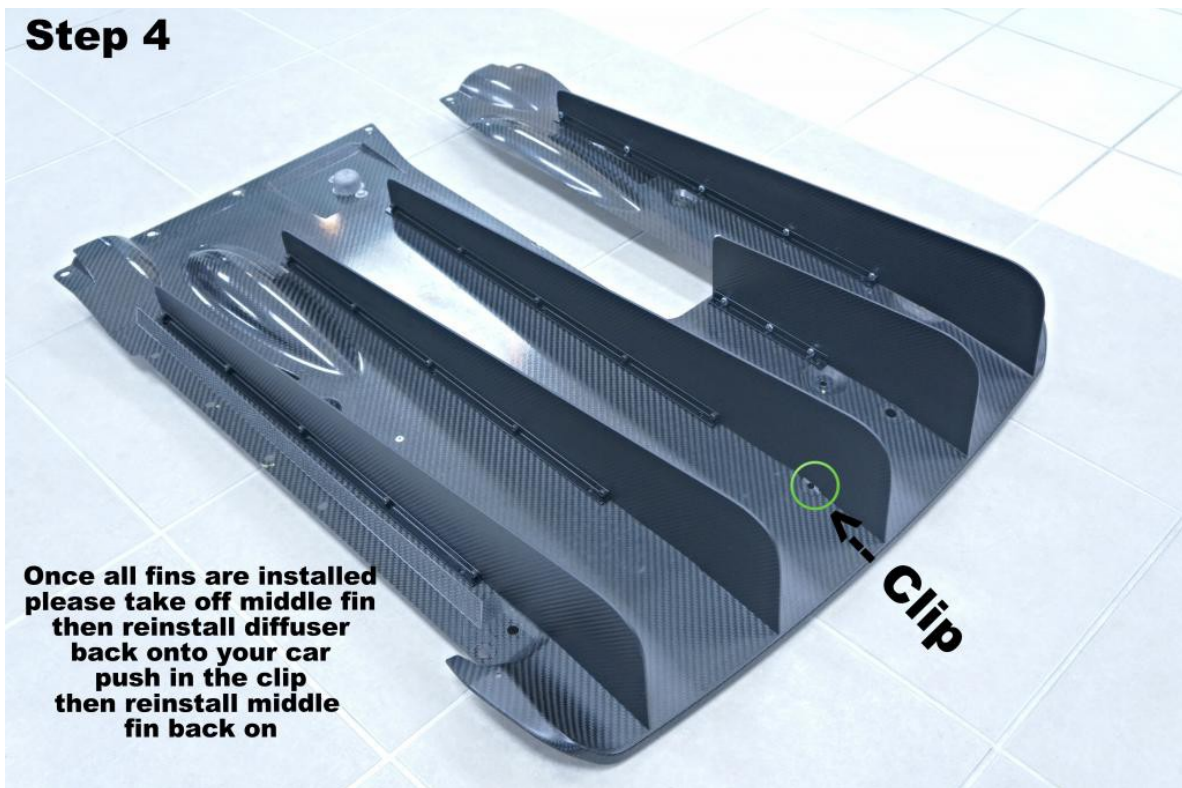
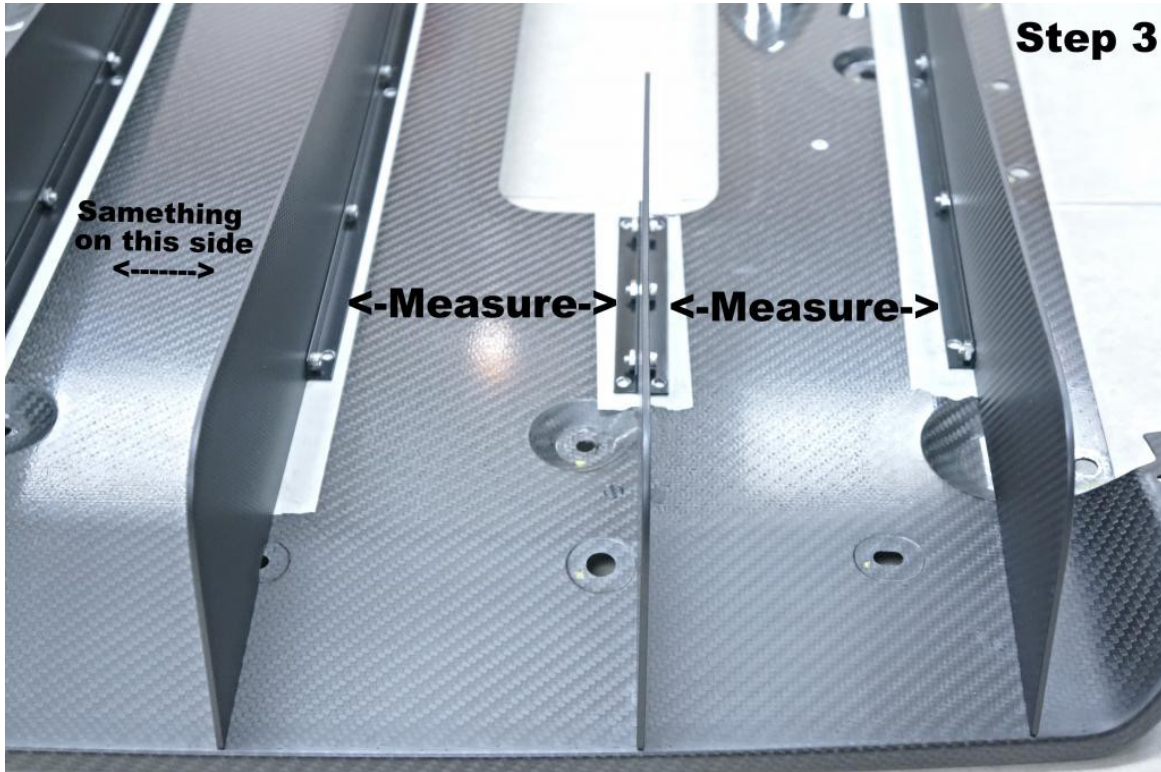
THE PURCHASER IS RESPONSIBLE FOR DETERMINING THE SUITABILITY OF ANY AND ALL PRODUCTS PURCHASED.

FOR OFF-ROAD USE ONLY. Purchaser solely responsible for installation and determination of the suitability of any and all products and services obtained from manufacturer and distributor, Diffflow, LLC. Purchaser understands and recognizes that off road and racing equipment provided by Diffflow, LLC are subject to varied conditions due to the manner in which they are installed and used by purchaser. Purchaser assumes all responsibility for determination of suitability of any part sold or manufactured for purchaser's application and use; and, purchaser is not relying on the skill or judgment of Diffflow, LLC regarding suitability of any product or service. Diffflow, LLC makes no warranties whatsoever, expressed or implied, oral or written to purchaser with regard its products and services. The right to make changes in design or add to or improve on product without incurring any obligations to install the same on products previously manufactured is expressly reserved by Diffflow, LLC. Buyer agrees to indemnify and hold Diffflow, LLC and its subsidiaries, successors or assigns harmless from any claim, action or demand arising out of or incident to the buyer's installation or use of products purchased from Diffflow, LLC. All of Diffflow, LLC's parts are aftermarket replacement parts. Part numbers are used for reference only. No implication is made that these parts are the original manufacturer's parts, original equipment manufactured (OEM), are from the original suppliers, or are approved by them. Before operating vehicle, always wear a seat-belt

DIFFUSER FINS INSTALLATION INSTRUCTIONS FOR NISSAN GT-R.







NOTE* ALL WASHERS INCLUDED MUST INSTALL ON THE TOP SIDE OF THE DIFFUSER.